

DESCRIPTION

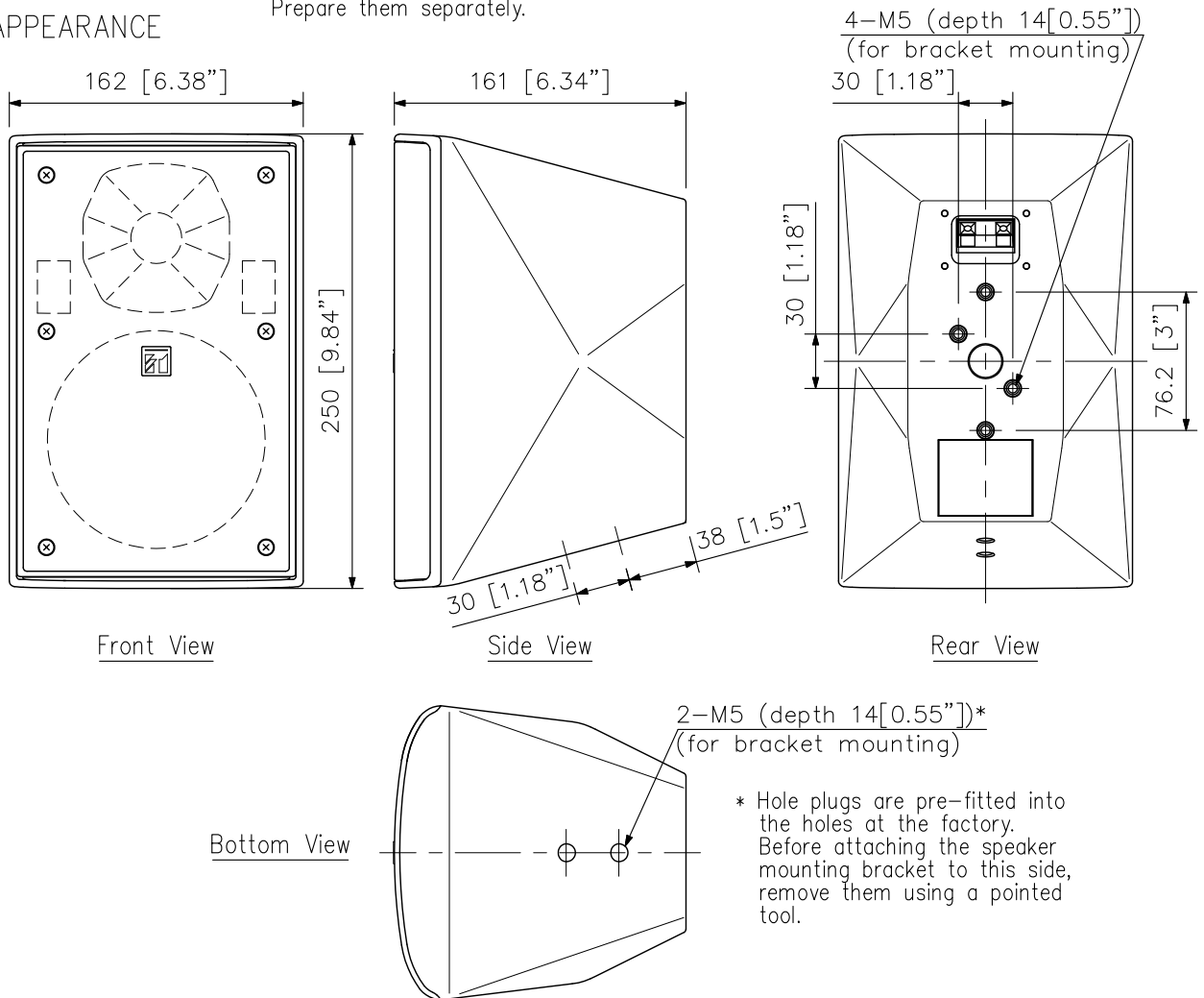
The F-1300 Series Speaker are compact two-way speaker systems designed for high efficiency, wide range, and high power input handling capability. These speaker systems can be installed in a manner ideal for the location and intended application.

SPECIFICATIONS

Enclosure	Bass-reflex type
Power Handling Capacity	Continuous pink noise: 50 W Continuous program: 150 W
Rated Impedance	8 Ω
Sensitivity	90 dB (1 W, 1 m) at installation in 1/2 free sound field
Frequency Response	80 - 20,000 Hz, -10 dB at installation in 1/2 free sound field
Crossover Frequency	2 kHz
Directivity Angle	Horizontal: 110°, Vertical: 100°
Speaker Component	Low frequency: 13 cm (5") cone-type High frequency: 25 mm (1") dome tweeter
Input Terminal	Push-in terminal
Finish	Enclosure: HIPS, white Punched net: Surface-treated steel plate, white, paint Joint bracket, wall bracket: Steel plate, t1.6, white, paint Speaker bracket: Die-cast aluminum, white, paint
Dimensions	162 (W) × 250 (H) × 161 (D) mm (6.38" × 9.84" × 6.34")
Weight	3.1 kg (6.83 lb) (including the supplied brackets)
Accessory	Speaker bracket ---1, Joint bracket ---1, Wall bracket ---1, Bracket fixing screw ---1 set
Option	Board hanger bracket: HY-BH10B Ceiling mount bracket: HY-CM10W (used for the horizontal speaker mounting) Cluster bracket: HY-CL10B Speaker stand: ST-16A

Note: Bolts and nuts for mounting the bracket to the wall or ceiling are not included. Prepare them separately.

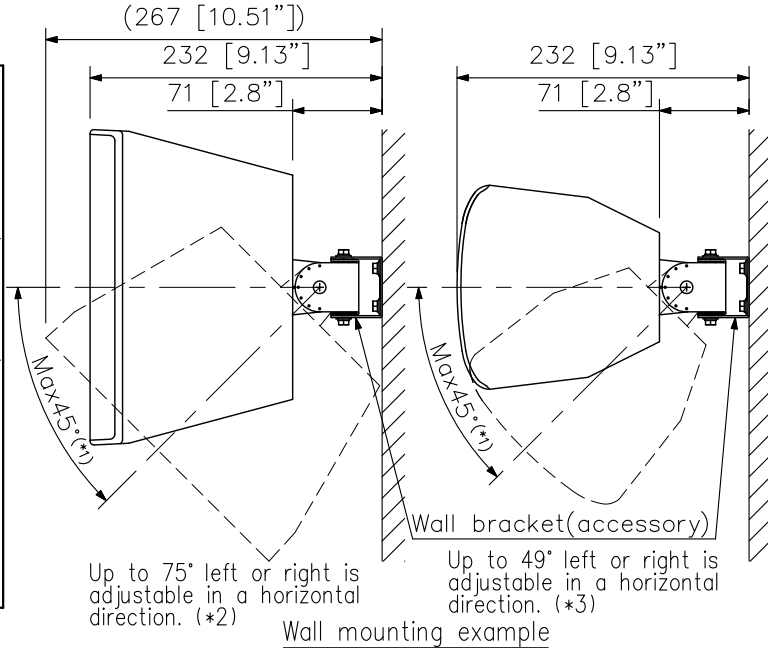
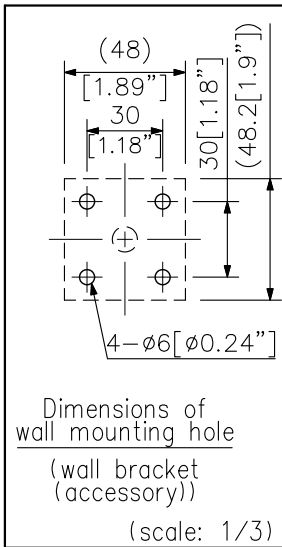
APPEARANCE



* Hole plugs are pre-fitted into the holes at the factory. Before attaching the speaker mounting bracket to this side, remove them using a pointed tool.

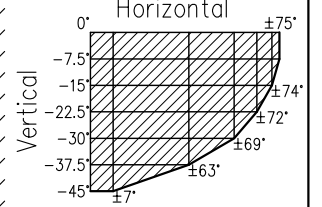
UNIT:mm SCALE:1/4

■ **APPEARANCE**

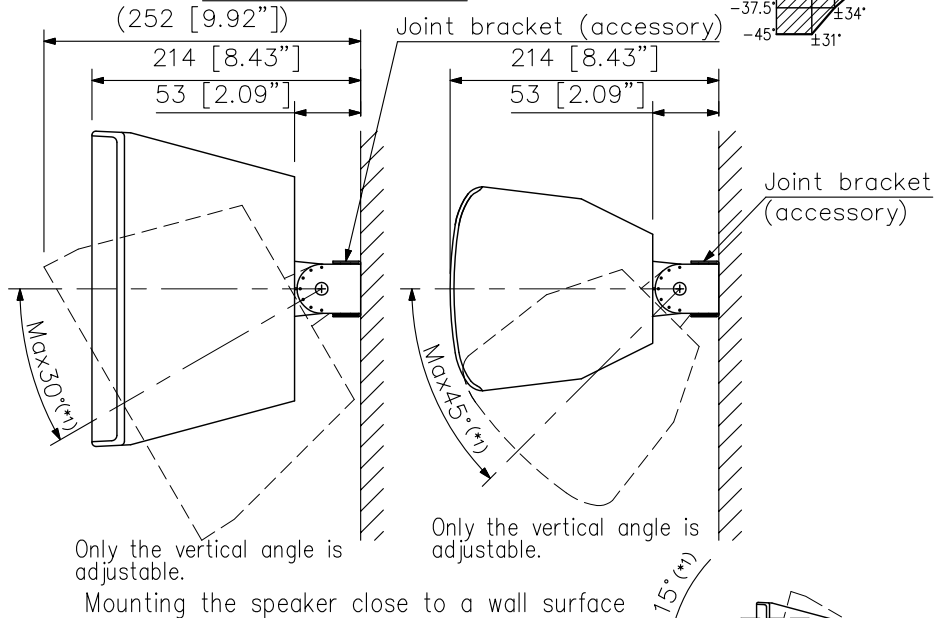
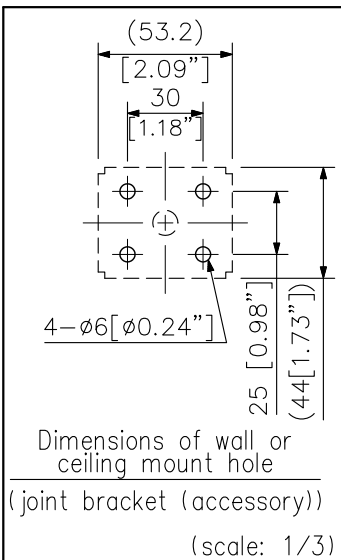
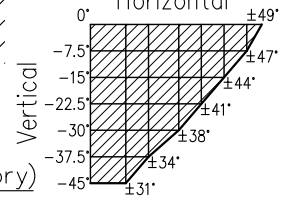


(*1) The speaker vertical angle adjustable in 7.5° steps.

(*2) Adjustable angle (vertical speaker mounting)



(*3) Adjustable angle (horizontal speaker mounting)



Only the vertical angle is adjustable.

Only the vertical angle is adjustable.

